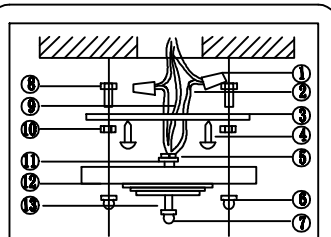
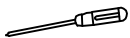
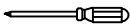
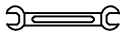


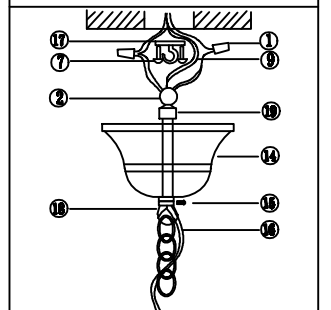
# instruction manual

## Assembling illustration

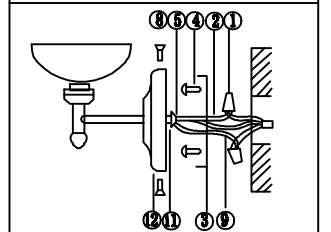
Model: SJ-9050



picture 1 ceiling Lamp

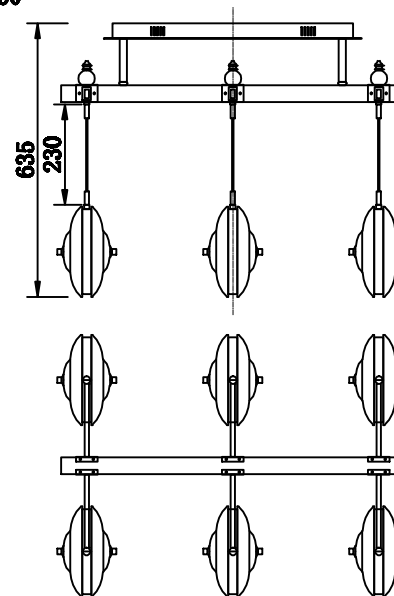


picture 2 Pendant Lamp



picture 3 Wall Lamp

- (1) wire connector
- (2) power cable
- (3) bracket
- (4) self-drilling screw
- (5) Nut
- (6) small deco knob
- (7) big deco knob
- (8) bracket screw
- (9) earth wire
- (10) nut
- (11) toothed washer
- (12) base
- (13) small deco knob
- (14) canopy
- (15) safety screw
- (16) chain
- (17) triangle hook
- (18) hanging ring



picture 1

1. Fix the bracket(3) on the ceiling with self-drilling screw(4) tightly
2. Pls care the L and N wire during wire connecting, and this connection should be very tightly, without connector dropping when you pull it
3. After Two barcket screws(8) going through base(12) and bracket. Fix the screw with two small deco knob

picture 2

1. Fix the triangle(17) on the ceiling with screw(7), Then fix hanging Ring(18).
2. Connect the hanging ring(16) and the chain(18)
3. The power cable(2) and earth wire(6) will go through the chain, hanging ring(18), canopy(14), thread tube and so on
4. After connecting the power wire, Push the canopy to the ceiling, then fix safety screw tightly

picture 3 assembling way just like Picture 1