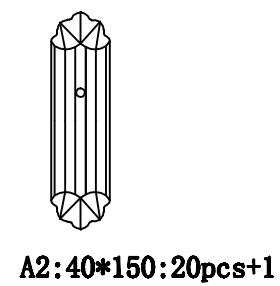
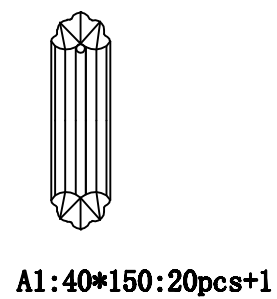
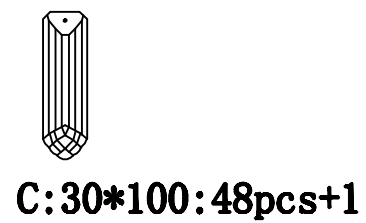
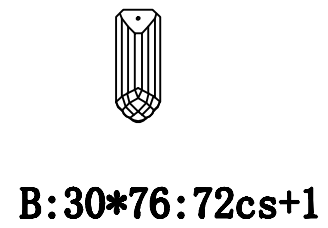
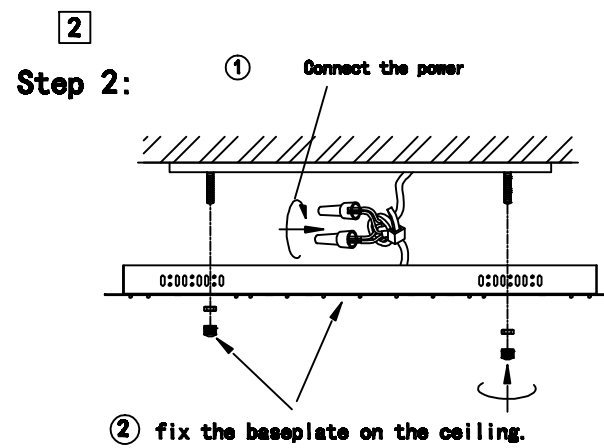
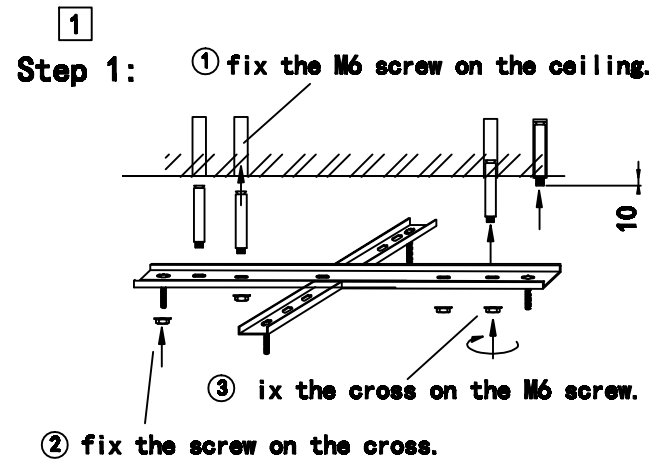


1. Use the gloves provided to ensure the light fitting is not marked during installation.
2. Ensure the location chosen is suitable for the light fitting.
3. Ensure that the power is off where the light fitting is to be installed, to prevent electric shocks.
4. When connecting to power cables, ensure the terminal studs are secure.
5. Ensure the power is isolated when cleaning or maintaining the fitting. Use non-corrosive detergent for cleaning.



14# □ 128pcs

9322-800\*350

